

**OPERATION**

This is a normally-closed, pilot-operated, poppet-style 20-size solenoid valve. When de-energized, the HSVP20-NC acts as a check valve allowing flow from port 1 to port 2, and blocking flow from port 2 to port 1. When energized, the valve's poppet is shifted and allows flow from port 2 to port 1, and severely restricts from port 1 to port 2.

**APPLICATIONS**

The HSVP20-NC is designed to function as load holding or blocking valve in applications where low internal leakage is required. In load holding applications, the circuit should be designed so that the de-energized state is the position that is holding the load.



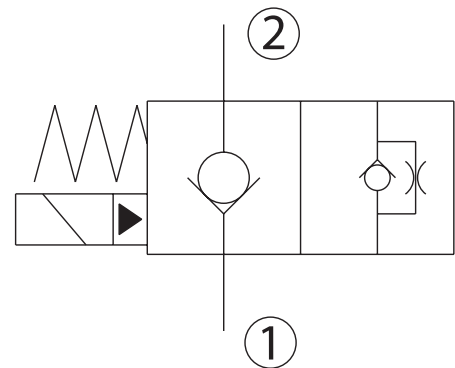
Shown with Standard H16 Coil, Deutsch Connector

**SPECIFICATIONS**

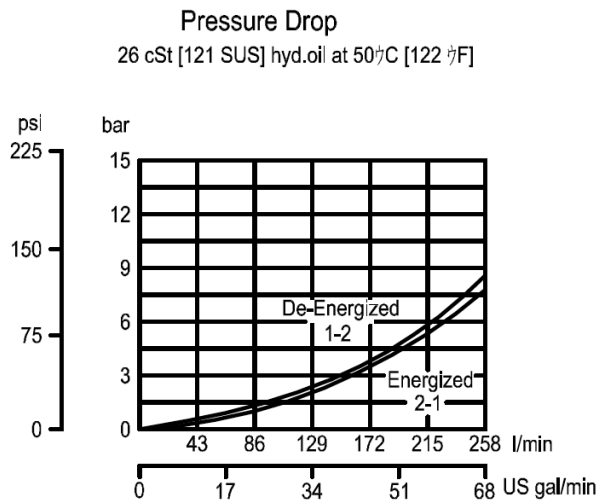
<b>Rated pressure*</b>	350 bar [5075 psi]*
<b>Rated flow at 7 bar [100 psi]</b>	227 l/min [60 US gal/min]
<b>Leakage</b>	6 drops/min @ Rated pressure
<b>Weight</b>	1.04 kg [2.29 lb]
<b>Cavity</b>	SDC20-2
<b>Standard Coil</b>	H16 29 Watt

\* Rated Pressure based on NFPA fatigue test standards (at 1 Million Cycles).

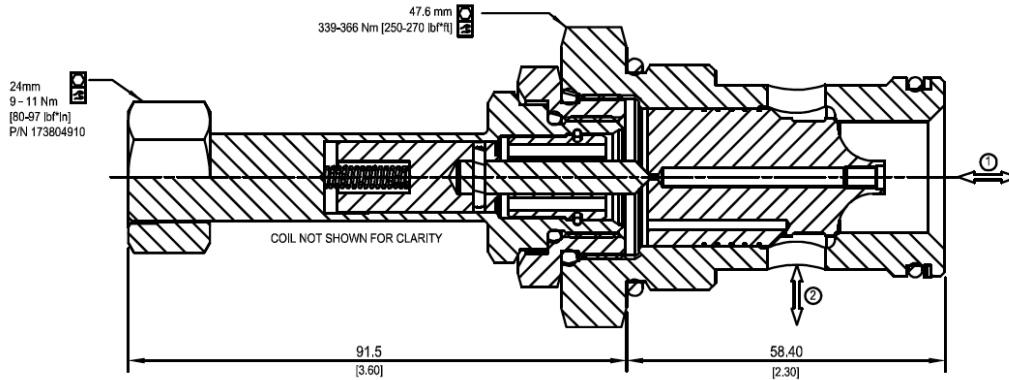
**SCHEMATIC**



**PERFORMANCE CURVES**

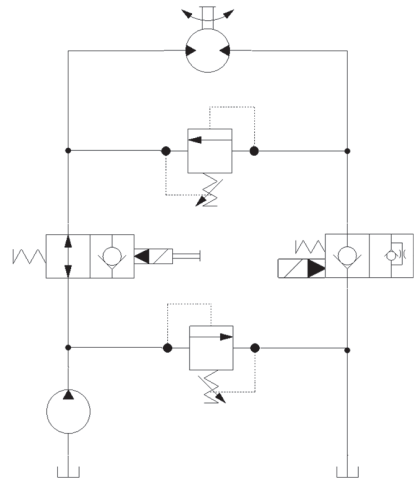


**DIMENSIONS**



**EXAMPLE CIRCUITS**

On/Off Motor Circuit



**ORDERING INFORMATION**

High Pressure Solenoid Valve  
 Normally-Closed, Pilot Operated,  
 20 Size, Poppet Type

**HSVP20 - NC - H12D - DE - XC - B - 00**

Code	Description	IP Rating
00	No Coil	-
FL	Flying Lead	IP69K
DE	Deutsch	IP69K
AS	AMP Super Seal 1.5 & Metri Pack 150 type 1	IP69K
ASDB	AMP Super Seal with Diode Bidirectional	IP69K
DEDB	Deutsch with Diode Bidirectional	IP69K
FLDB	Flying Lead with Diode Bidirectional	IP69K

Code	Description
H00	No Coil
H12D	12 VDC
H24D	24 VDC

Code	Ports & Material	Body Nomenclature
00	Cartridge Only	No Body
16S	#16 SAE, AL	SDC20-2-16S
S16S	#16 SAE, DUCTILE	SDC20-2-S16S
20S	#20 SAE, AL	SDC20-2-6B
S20S	#20 SAE, DUCTILE	SDC20-2-S6B
8B	1 BSP, AL	SDC20-2-8B
S8B	1 BSP, DUCTILE	SDC20-2-S8B
10B	1 1/4 BSP, AL	SDC20-2-10B
S10B	1 1/4 BSP, DUCTILE	SDC20-2-S10B

\*\*Aluminum bodies are to be used for lower pressures less than 210 bar (3,000 psi)

Code	Seal Material	Seal Kit
B	Buna	120011
V	Viton	120012

Code	Description
XC	No Manual Override

SV - Solenoid Valves  
 HSVP20-NC