

OPERATION

This is a normally-closed, pilot-operated, poppet-type 20-size solenoid valve with free reverse flow. When de-energized, the valve acts as a check valve, allowing flow from port 1 to port 2, and blocking flow from port 2 to port 1. When energized, the valve's poppet is shifted and allows flow from port 2 to port 1, and from 2 to 1.



APPLICATIONS

This valve is designed for low leakage applications and can be used in a circuit with a single acting cylinder to control motion, provide load holding or as a general purpose diverter or dump valve.

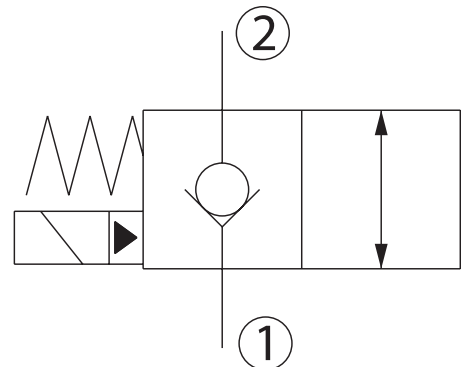
This solenoid valve is a technical replacement for CP503-3.

SV - Solenoid Valves
 HSVP20-NCR

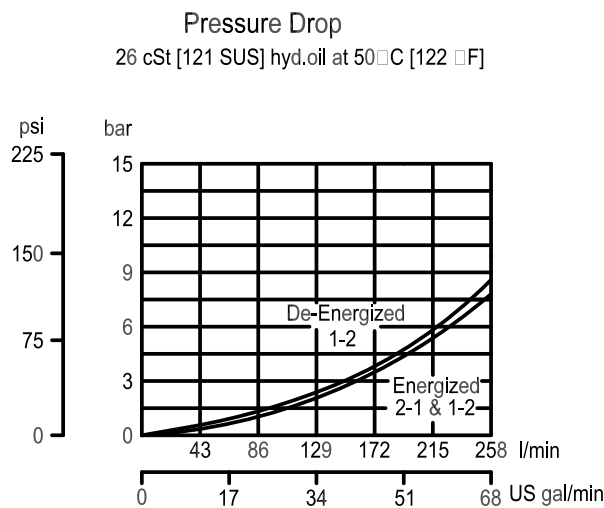
SPECIFICATIONS

Rated pressure*	350 bar [5075 psi]*
Rated flow at 7 bar	227 l/min
[100 psi]	[60 US gal/min]
Leakage	6 drops/min @ Rated pressure
Weight	1.04 kg [2.29 lb]
Cavity	SDC20-2
Standard Coil	H16 29 Watt

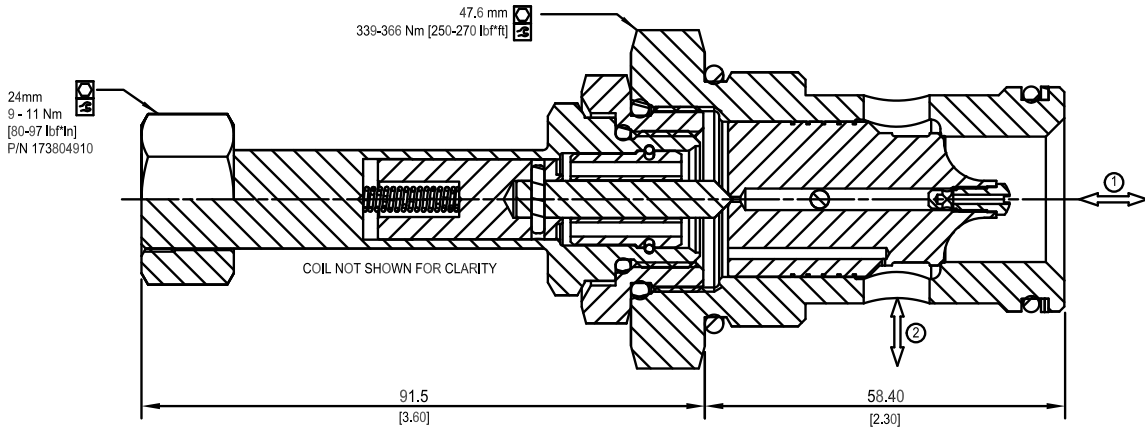
SCHEMATIC



PERFORMANCE CURVES

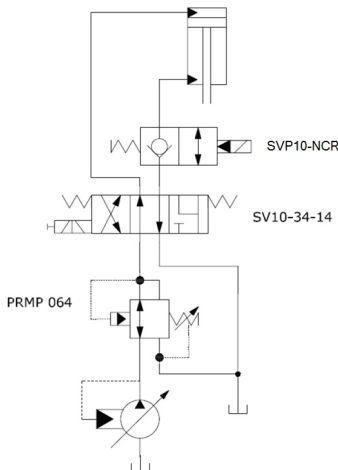


DIMENSIONS

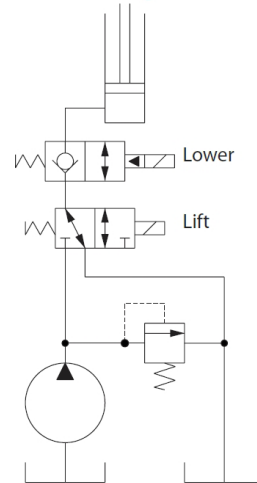


EXAMPLE CIRCUITS

Height Control with Float Option



Lift, hold, & lower single acting cylinder



P103 102E

ORDERING INFORMATION

HSVP20 - NCR - H12D - DE - XC - B - 00

High Pressure Solenoid Valve
 Normally-Closed, Pilot Operated,
 Free Reverse Flow, 20 Size,
 Poppet Type

Coil Voltage

Code	Description
H00	No Coil
H12D	12 VDC
H24D	24 VDC

Coil Termination

Code	Description	IP Rating
00	No Coil	-
FL	Flying Lead	IP69K
DE	Deutsch	IP69K
AS	AMP Super Seal 1.5 & Metri Pack 150 type 1	IP69K
ASDB	AMP Super Seal with Diode Bidirectional	IP69K
DEDB	Deutsch with Diode Bidirectional	IP69K
FLDB	Flying Lead with Diode Bidirectional	IP69K

Bodies

Code	Ports & Material	Body Nomenclature
00	Cartridge Only	No Body
16S	#16 SAE, AL	SDC20-2-16S
S16S	#16 SAE, DUCTILE	SDC20-2-S16S
20S	#20 SAE, AL	SDC20-2-6B
S20S	#20 SAE, DUCTILE	SDC20-2-S6B
8B	1 BSP, AL	SDC20-2-8B
S8B	1 BSP, DUCTILE	SDC20-2-S8B
10B	1 1/4 BSP, AL	SDC20-2-10B
S10B	1 1/4 BSP, DUCTILE	SDC20-2-S10B

**Aluminum bodies are to be used for lower pressures less than 210 bar (3,000 psi)

Seal Option

Code	Seal Material	Seal Kit
B	Buna	120011
V	Viton	120012

Manual Overrides

Code	Description
XC	No Manual Override