

**OPERATION**

Solenoid Valve, Spool Type, 2-Position, 3-Way, Normally Closed, Pull-Type. When de-energized, the HSV10-23-01 allows flow from port 1 to port 2, while port 3 is blocked. When energized, flow is allowed from port 3 to port 1, while port 2 is blocked. Follow the "Operating Envelope" limits to ensure shifting of the valve during operation. This valve comes standard with a one-direction, push-pin manual override.

**APPLICATIONS**

These spool-type valves are commonly used in a selector circuit, or as an on/off pilot control for a directional spool valve. Solenoid spool-type valves are direct acting and respond quickly to coil voltage input. Spool valves will have some leakage due to spool clearance, so if your application requires no leakage at the working port(s), apply a low leakage poppet valve(s), like PO check valve, counterbalance valve, etc., in addition to this solenoid valve.



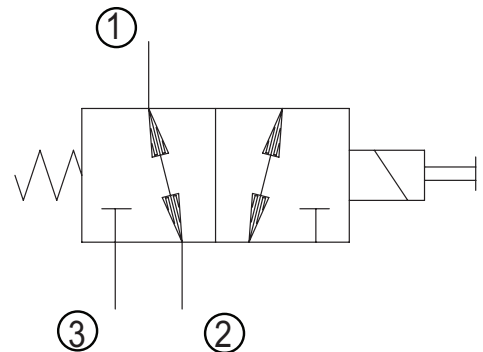
Shown with Robust Coil, Metri-Pack Type 1 Connector

**SPECIFICATIONS**

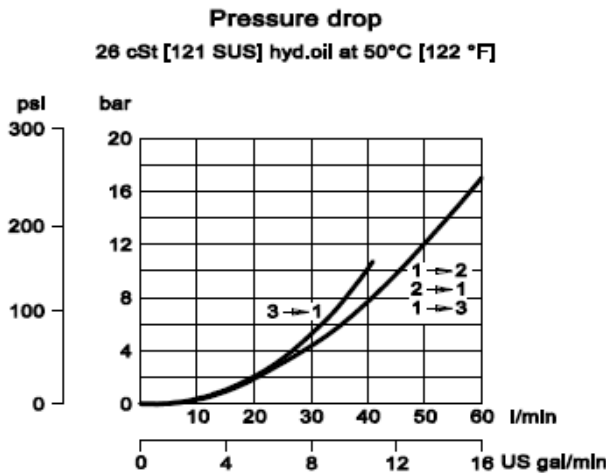
|                               |                         |
|-------------------------------|-------------------------|
| Rated pressure*               | 350bar [5075 psi]*      |
| Rated flow at 7 bar [100 psi] | 30 l/min [8 US gal/min] |
| Weight                        | 0.57 kg [1.26 lb]       |
| Cavity                        | SDC10-3                 |
| Standard Coil                 | H16 29 Watt             |

\* Rated Pressure based on NFPA fatigue test standards (at 1 Million Cycles).

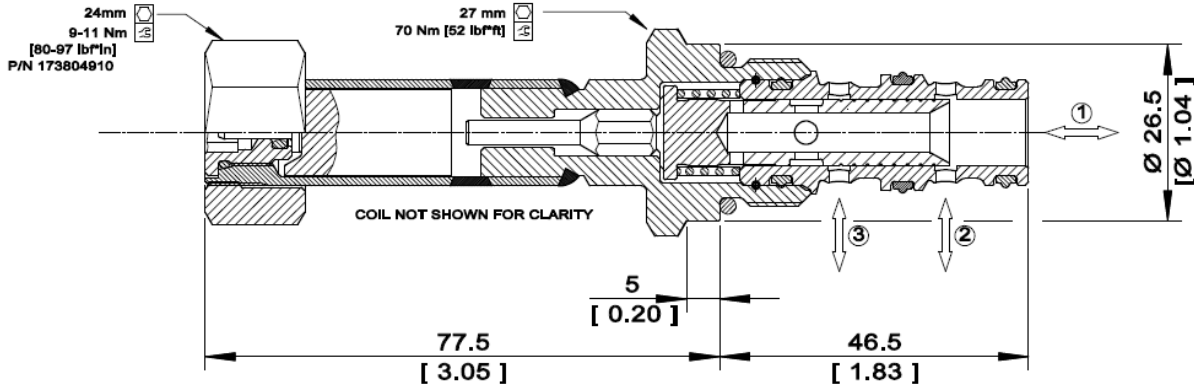
**SCHEMATIC**



**PERFORMANCE CURVES**

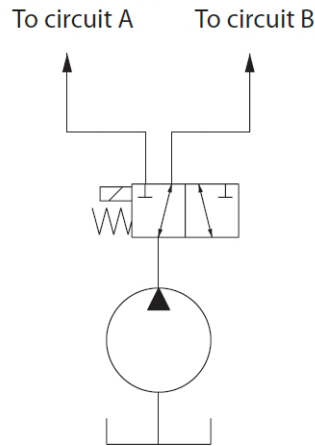


**DIMENSIONS**



**EXAMPLE CIRCUITS**

**Selector circuit**



**ORDERING INFORMATION**

**HSV10 - 23 - 01 - H12D - DE - PN - P - 00**

High Pressure Solenoid Valve,  
 This is a direct-acting, 2-position,  
 3-way, spool-type solenoid valve.

**Coil Voltage**

| Code | Description |
|------|-------------|
| H00  | No Coil     |
| H12D | 12 VDC      |
| H24D | 24 VDC      |

**Coil Termination**

| Code | Description                                 | IP Rating |
|------|---|-----------|
| 00   | No Coil                                     | -         |
| FL   | Flying Lead                                 | IP 69k    |
| DE   | Deutsch                                     | IP 69k    |
| AS   | AMP SuperSeal 1.5 and Metri-Pack 150 type 1 | IP 69k    |
| ASDB | AMP Super Seal with Diode Bidirectional     | IP 69k    |
| DEDB | Deutsch with Diode Bidirectional            | IP 69k    |
| FLDB | Flying Lead with Diode Bidirectional        | IP 69k    |

**Bodies**

| Code | Port & Material  | Body Nomenclature |
|------|------------------|-------------------|
| 00   | Cartridge only   | No Body           |
| S3B  | 3/8 BSP, Ductile | SDC10-3-S3B       |
| S4B  | 1/2 BSP, Ductile | SDC10-3-S4B       |
| S6S  | #6 SAE, Ductile  | SDC10-3-S6S       |
| S8S  | #8 SAE, Ductile  | SDC10-3-S8S       |

\*\*\* Aluminum bodies available for lower pressure application. Please consult factory for details.

**Seal Option**

| Code | Seal Material            | Seal kit |
|------|--------------------------|----------|
| P    | Polyurethane Single Seal | 11140113 |

**Manual Override**

| Code | Description                                 |
|------|---|
| PN   | Push Pin                                    |
| OPS  | Push Pin M/O Nut for Protection & Actuation |
| PAT  | Push and Twist                              |