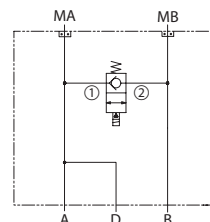


**OPERATION**

This is a bypass solenoid HIC with drain that mounts to DH motors with manifold mount porting. When energized, the valve connects ports A and B. Drain connects to port A.

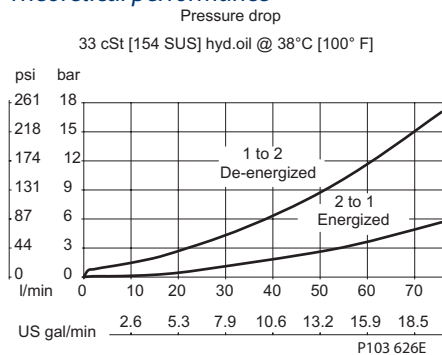
*Schematic*



P104 750

**SPECIFICATIONS**

*Theoretical performance*



*Specifications*

Rated pressure	210 bar [3045 psi]
Rated flow at 7 bar [102 psi]	80 l/min [21 US gal/min]
Leakage	6 drops/min @ at rated pressure
Weight	1.36 kg [3.00 lb]
Cartridge	SVP10-NCR
Shuttle/drain port	#4 SAE (1/4 BSP)
Service mount kit	11023864
Motor	DH

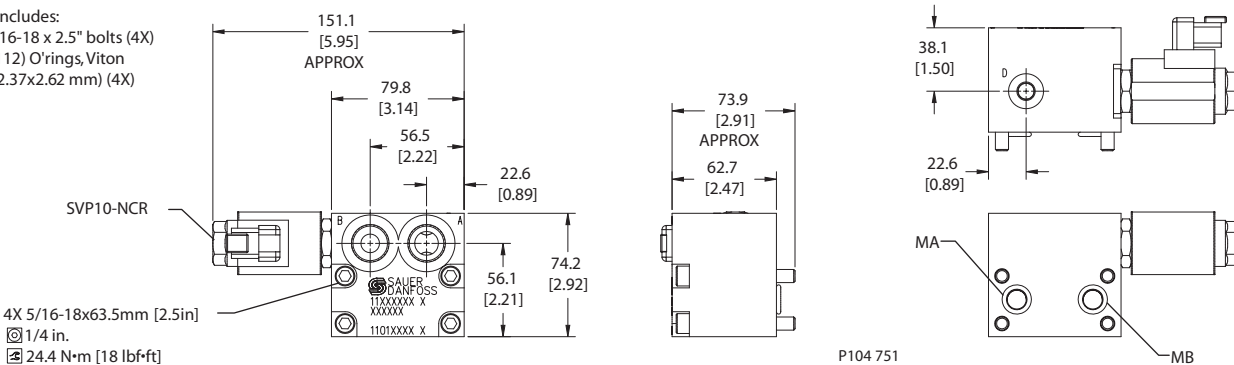
Motor mount HICs  
MM-DH-00-SVP10-NCR

**DIMENSIONS**

*Cross-sectional view*

mm [in]

HIC Includes:  
- 5/16-18 x 2.5" bolts (4X)  
- (-112) O'rings, Viton (12.37x2.62 mm) (4X)



**ORDERING INFORMATION**

**MM-DH-00-BSVP10-NCR-12D-DE-B-N-10S**

Motor mount	Motor code	Secondary valve 00 = No valve	Solenoid valve	Coil voltage 00 = No coil 12D = 12 VDC (Standard Coil) 24D = 24 VDC (Standard Coil) R12D = 12 VDC (R-Coil) R24D = 24 VDC (R-Coil)	Coil termination 00 = No connector FL = Flying Lead DN = Din 43650* DE = Deutsch	AJ = Amp Junior* SP = Spade* AS = Amp SuperSeal 1.5 and Metri-Pack 150 Series Type 1 M3 = Metri-Pack 150 Series Type 2	Housing and ports 10S = Al, #10SAE 4B = Al, 1/2 BSP	Filter 300 μm N = No filter (standard) F = with filter	Seals B = Buna-N V = Viton	Part # 11026356 11026357
-------------	------------	----------------------------------	----------------	--	--	--	---	--	----------------------------------	--------------------------------

\* These terminations not available on robust coil (R12D, R24D)

P104 752