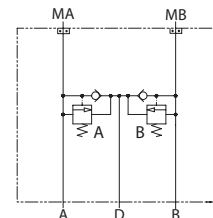


**OPERATION**

This is a dual shock valve with anticavitation checks that mounts to DS motors with manifold mount porting. The PVLP shock valve absorbs short-duration pressure spikes. Do not use it as a full-flow pressure relief valve. For anticavitation protection, connect drain port to reservoir with adequate piping.

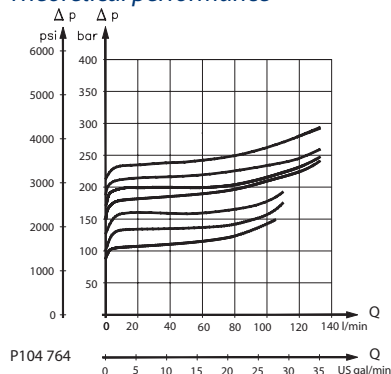
*Schematic*



P104 763

**SPECIFICATIONS**

*Theoretical performance*



P104 764

*Specifications*

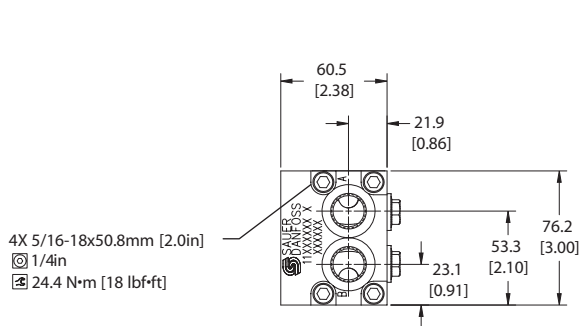
Rated pressure	345 bar [5003 psi]
Rated flow at 7 bar [102 psi]	57 l/min [15 US gal/min]
Crack pressure	0.5 bar [7 psi]
Leakage	5 cm <sup>3</sup> /min [0.3 in <sup>3</sup> /min] @ at 207 bar [3000 psi]
Weight	1.31 kg [2.89 lb]
Shuttle/drain port	#4 SAE (1/4 BSP)
Service mount kit	11023863
Motor	DS

Motor mount HICs  
MM-DS-00-DPVLP

**DIMENSIONS**

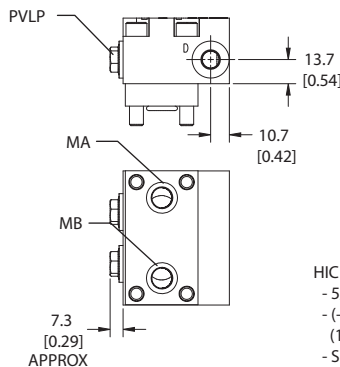
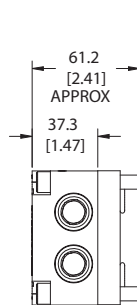
*Cross-sectional view*

mm [in]



4X 5/16-18x50.8mm [2.0in]  
⊙ 1/4in  
⊛ 24.4 N•m [18 lbf•ft]

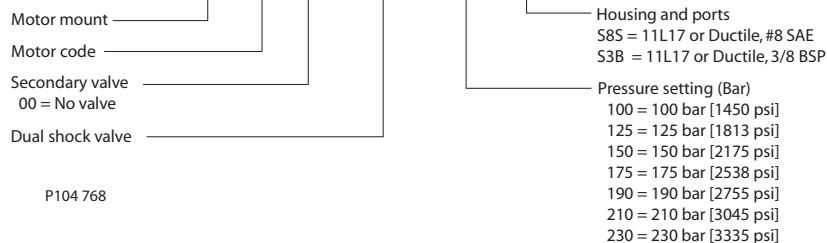
P104 767



HIC Includes:  
- 5/16-18 x 2.0" bolts (4X)  
- (-112) O'rings, Viton (12.37x2.62 mm) (4X)  
- Sub-plate

**ORDERING INFORMATION**

**MM-DS-00-DPVLP-100-S8S**



Part #  
11019335  
11019336

P104 768