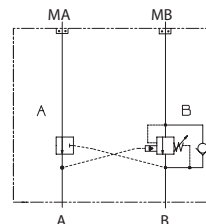


OPERATION

This is a single counterbalance HIC (on B port) that mounts to OMH motors with BSP porting.

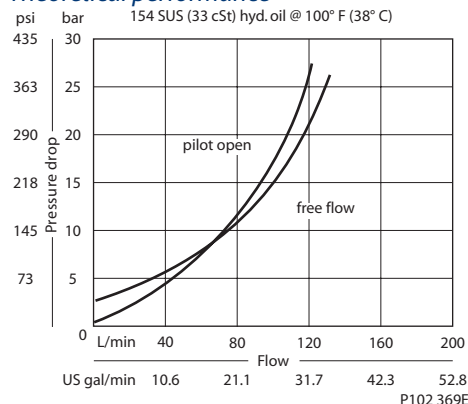
Schematic



P104 620

SPECIFICATIONS

Theoretical performance



P102 369E

Specifications

Rated pressure	210 bar [3045 psi]
Rated flow at 22 bar [319 psi]	115 l/min [30 US gal/min]
Leakage	10 drops/min @ at 70% of crack pressure
Weight	1.93 kg [4.25 lb]
Pilot ratio	3.0:1, 4.5:1, 10.0:1
Cartridge	CP441-1
Plug	CP12-V-3S-B1
Service mount kit	11023869
Motor	OMH

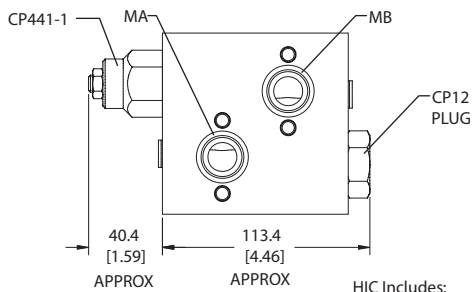
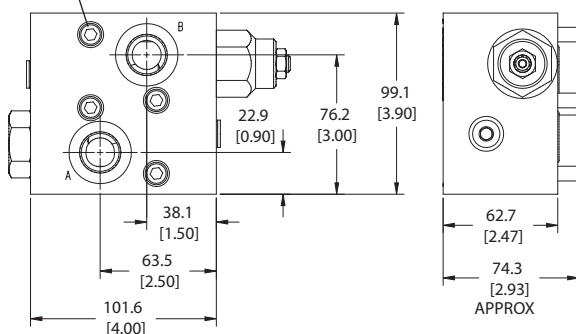
Motor mount HICs
 MM-OMH-00-BCP441-1

DIMENSIONS

Cross-sectional view

mm [in]

4X M8x1.25x60mm [2.36in]
 6mm
 40 Nm [30 lbf-ft]

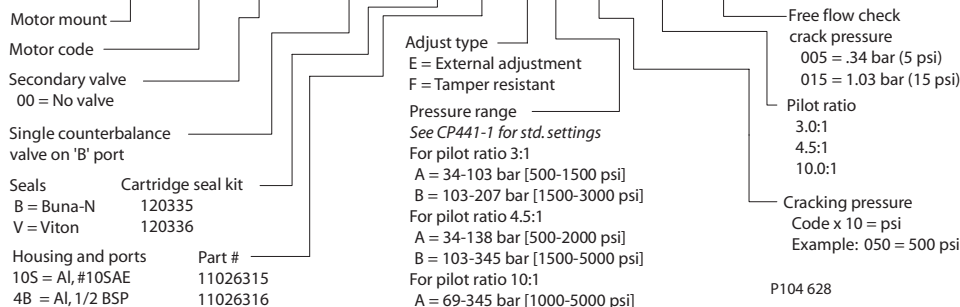


P104 627

HIC Includes:
 - M8x60mm bolts (4X)
 - (-119) O'rings, Viton (23.47x2.62 mm) (2X)

ORDERING INFORMATION

MM-OMH-00-BCP441-1-B-10S-E-A-250-10.0-015



P104 628