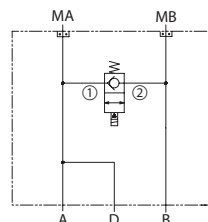


OPERATION

This is a bypass solenoid HIC with drain that mounts to DH motors with manifold mount porting. When energized, the valve connects ports A and B. Drain connects to port A.

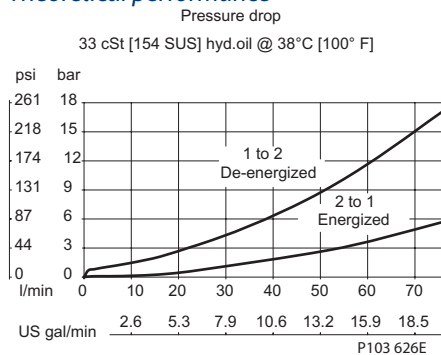
Schematic



P104 750

SPECIFICATIONS

Theoretical performance



Specifications

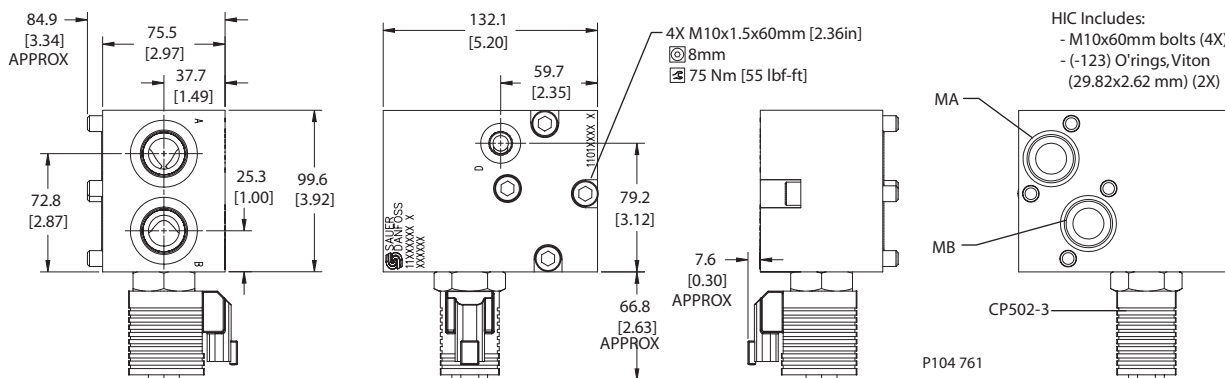
Rated pressure	210 bar [3045 psi]
Rated flow at 7 bar [102 psi]	80 l/min [21 US gal/min]
Leakage	6 drops/min @ at rated pressure
Weight	2.18 kg [4.81 lb]
Cartridge	CP502-3
Shuttle/drain port	#4 SAE (1/4 BSP)
Service mount kit	11023871
Motor	OMS

Motor mount HICs
MM-OMT-00-CP502-3

DIMENSIONS

Cross-sectional view

mm [in]



ORDERING INFORMATION

